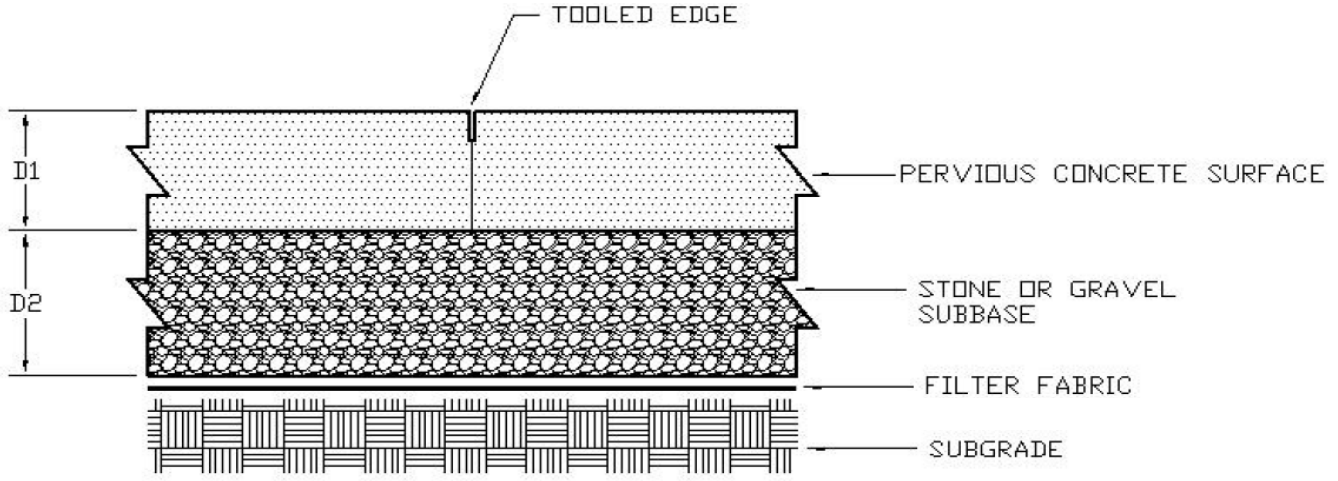
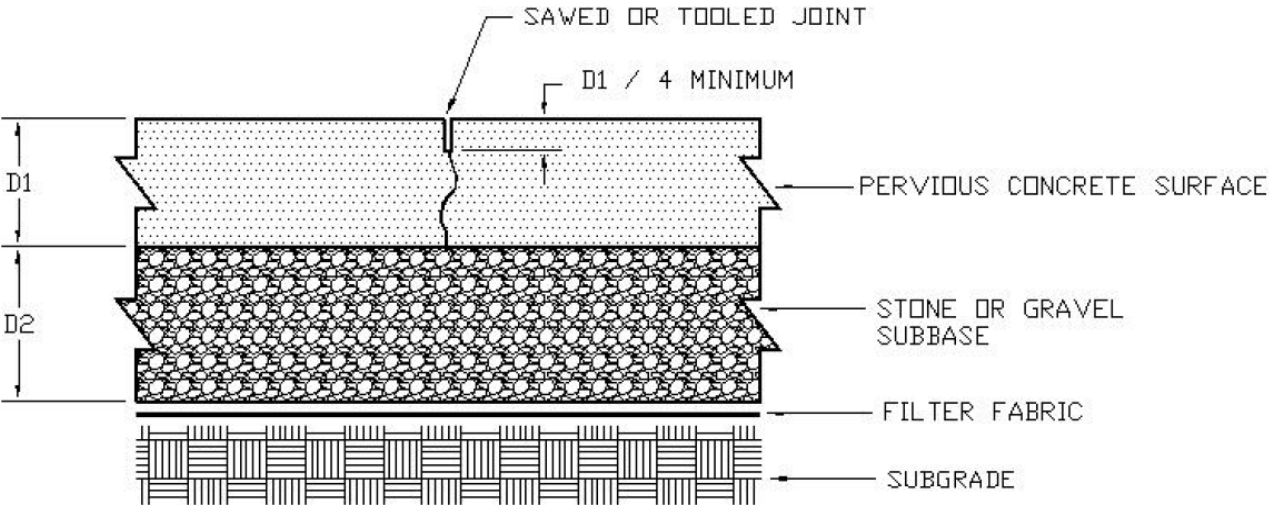


PERVIOUS TYPICAL SECTION



PERVIOUS CONSTRUCTION JOINT



PERVIOUS CONTRACTION JOINT