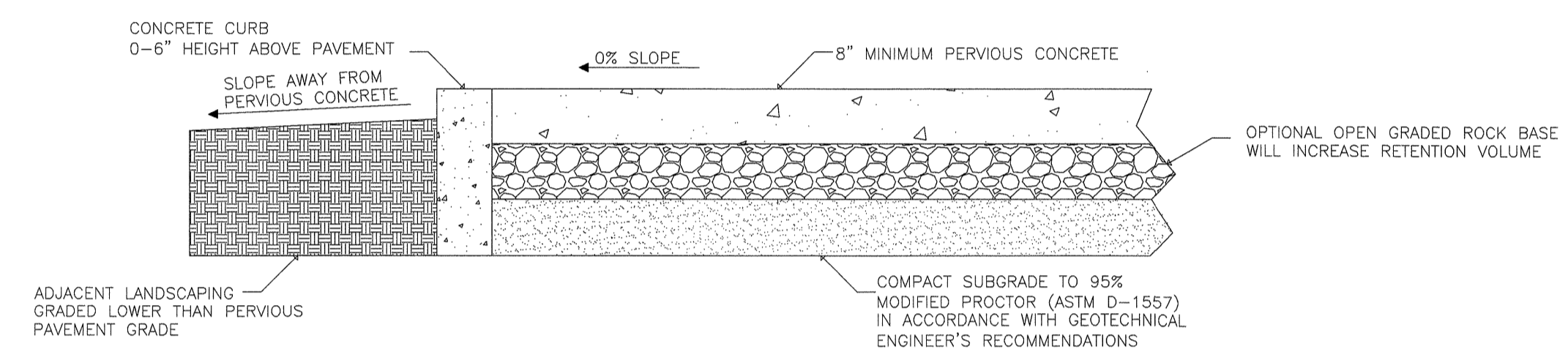
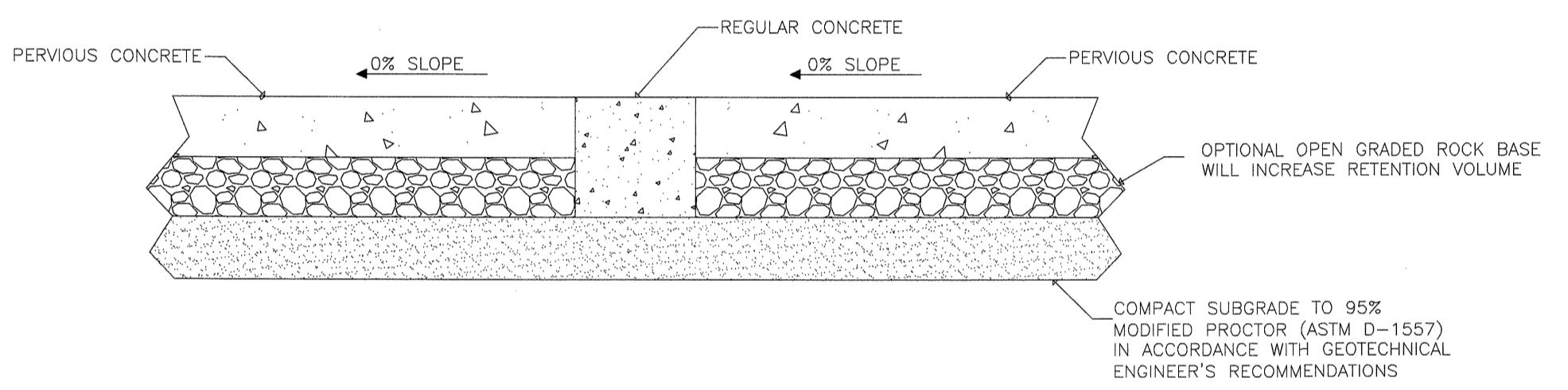


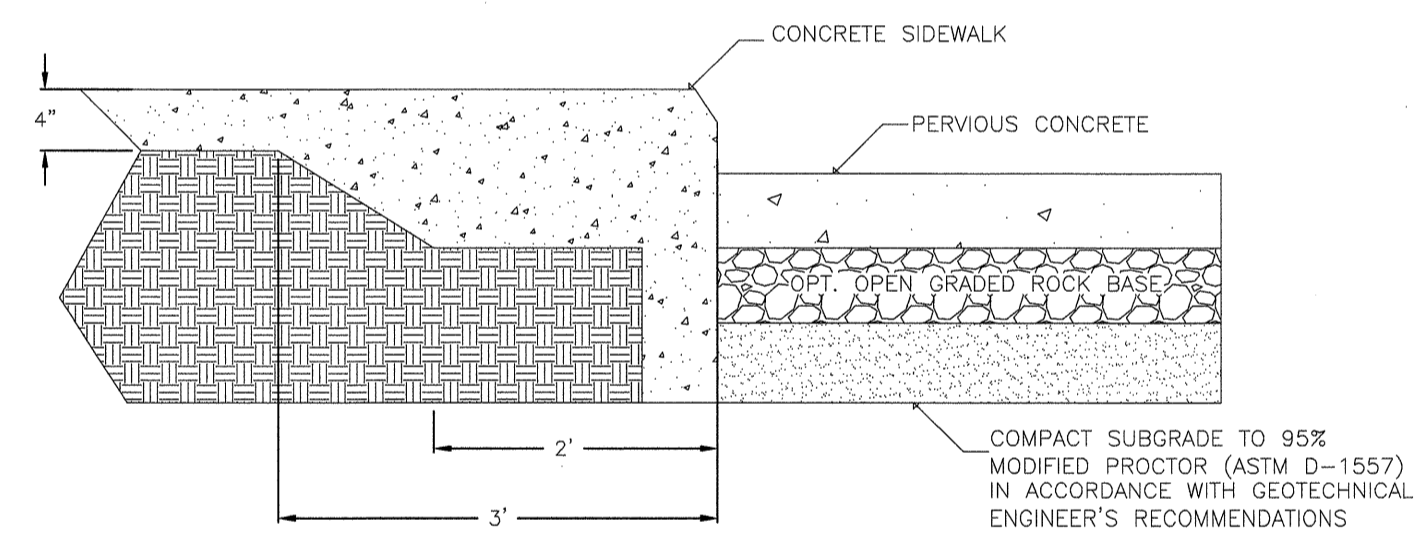
DETAIL 1 TYPICAL PARKING LOT PERVIOUS CONCRETE PAVEMENT SECTION
N.T.S.



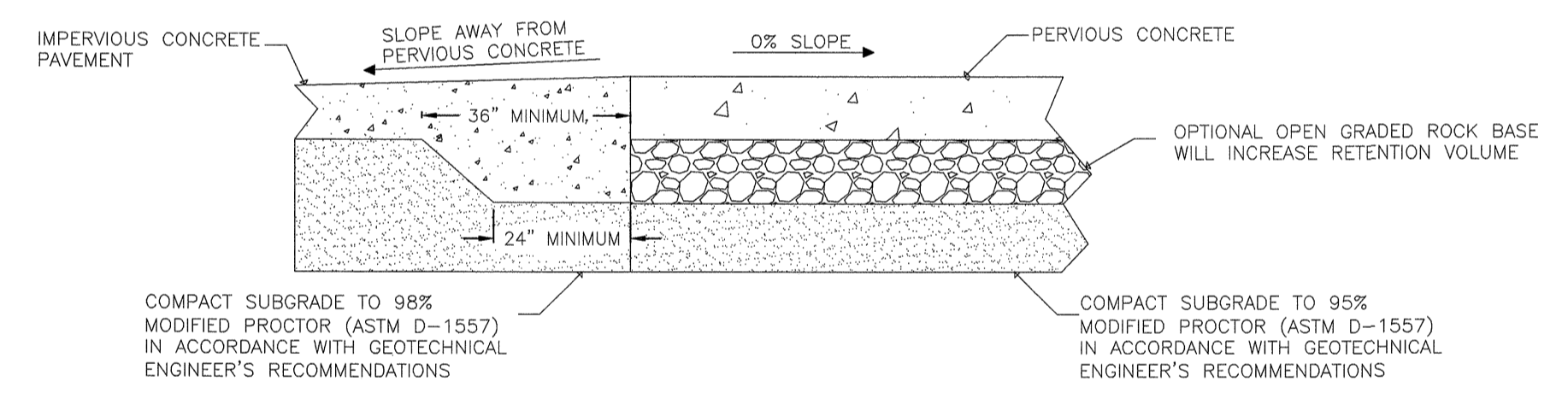
DETAIL 2 TYPICAL STREET PERVIOUS CONCRETE PAVEMENT SECTION
N.T.S.



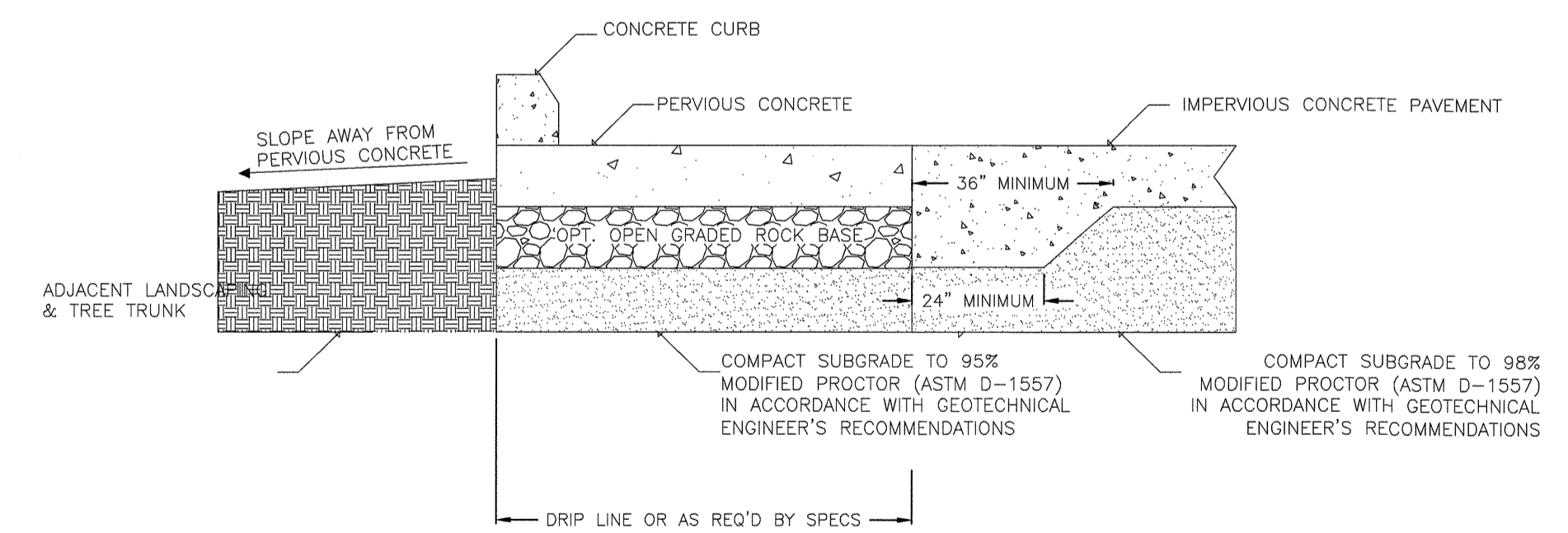
DETAIL 3 TYPICAL PANEL SEPARATION SECTION
N.T.S.



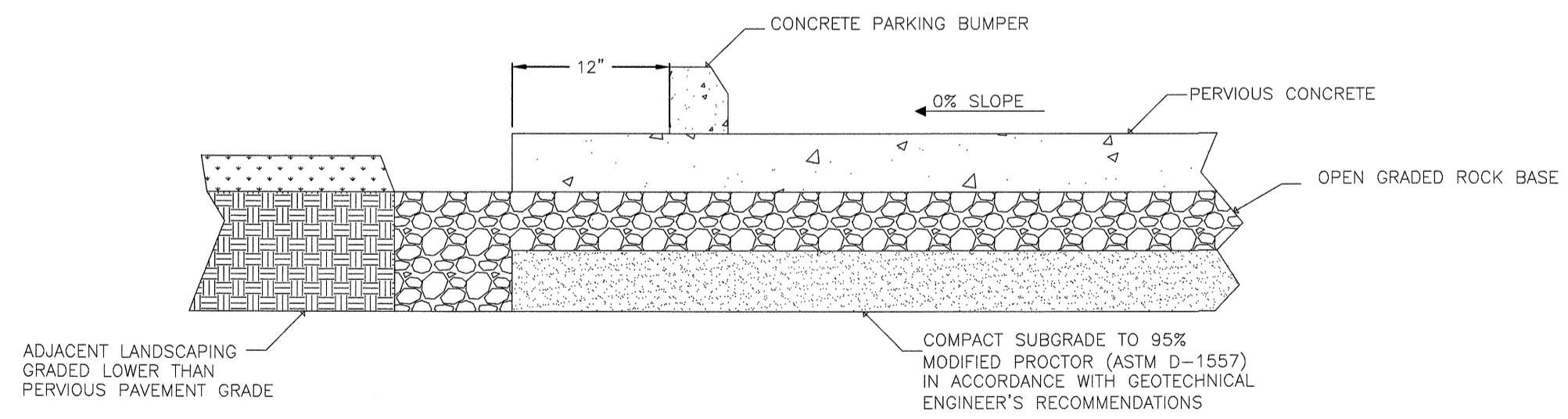
DETAIL 4 TYPICAL SIDEWALK SECTION
N.T.S.



DETAIL 5 PERVIOUS AND IMPERVIOUS CONCRETE PAVEMENT INTERFACE
TYPICAL SECTION
N.T.S.



DETAIL 6 TYPICAL TREE WELL SECTION
N.T.S.



DETAIL 7 TYPICAL PERVIOUS CONCRETE PAVEMENT SECTION
WITH ROCK TRENCH ALONG PAVEMENT EDGE FOR INCREASED DETENTION
N.T.S.

REVISIONS	
DATE / INITIALS	REMARKS
5	
6	
7	
8	

COMPANY NAME
ADDRESS
LOGO

PERVIOUS CONCRETE PAVEMENT
TYPICAL SECTION DETAILS



Drawn By: AB
Date: 03-10-05
Drawing No.
DETAILS